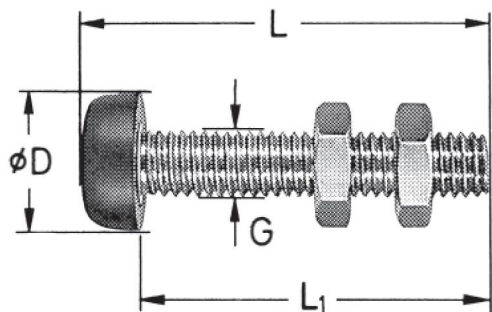
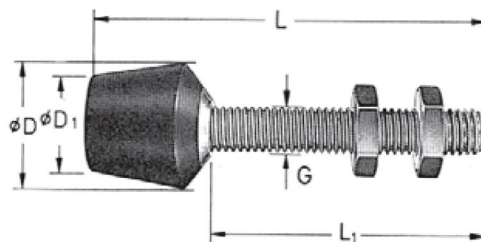


DAWN ACCESSORIES

Adjustment spindle with vulcanised neoprene thrust pad (80^o shore) & 2 hexagonal nuts

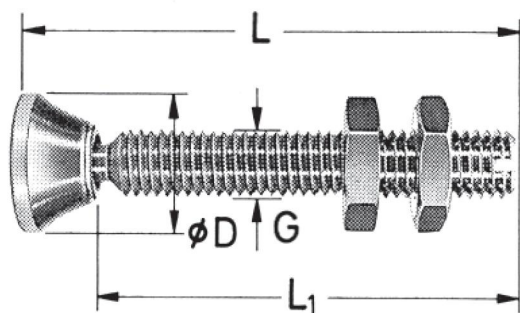


THREAD G	L	L1	ØD	PART NO.
M4	18.5	16	8	205208-M
M5	29	25	10	305208-M
M5	34	30	10	213208-M
M8	44	35	19	307208-M



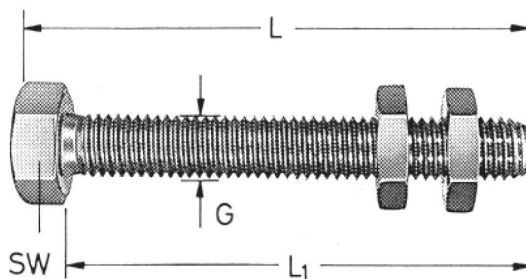
THREAD G	L	L1	ØD	ØD1	PART NO.
M6	44	30	16	12	202208-M
M6	54	40	16	12	215208-M
M8	53	35	21	14	225208-M
M8	78	60	21	14	507208-M
M10	79	55	26	20	240208-M
M10	140	115	26	20	235208-M
M12	97	68	30	24	247208-M

Adjustment spindle with swivel foot & 2 hexagonal nuts



THREAD G	L	L1	ØD	PART NO.
M6	62	54	12	207206-M
M8	73	62.5	16	507206-M
M10	84	71	20	210206-M
M12	120	105	25	250206-M

Adjustment spindle with hexagonal head & 2 hexagonal nuts



THREAD G	L	L1	SW	PART NO.
M6	49.5	45	10	205203-M
M6	79.5	75	10	202203-M
M8	70.5	65	13	207203-M
M10	77	70	17	210203-M
M10	107	100	17	240203-M
M10	127	120	17	527203-M
M12	83	75	19	220203-M
M16	110	100	24	250203-M
M16	130	120	24	267203-M